

# 3D shapes – sorting into groups (1)

Maths worksheets from urbrainy.com

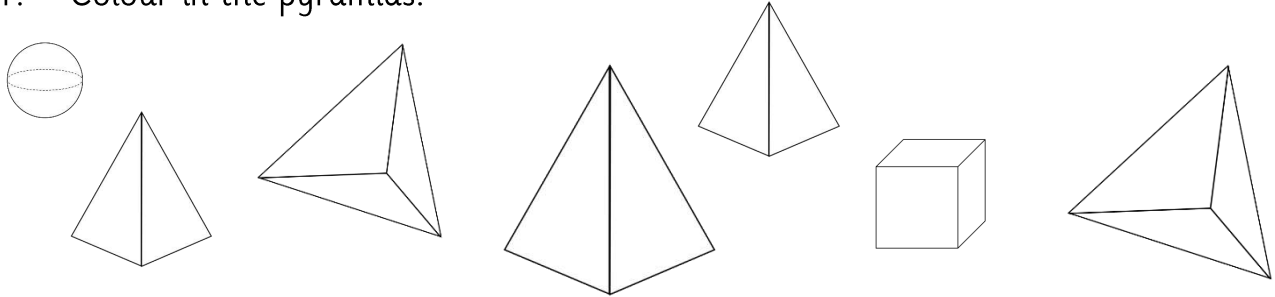


I am trying to sort some 3D shapes into groups of the same shape.

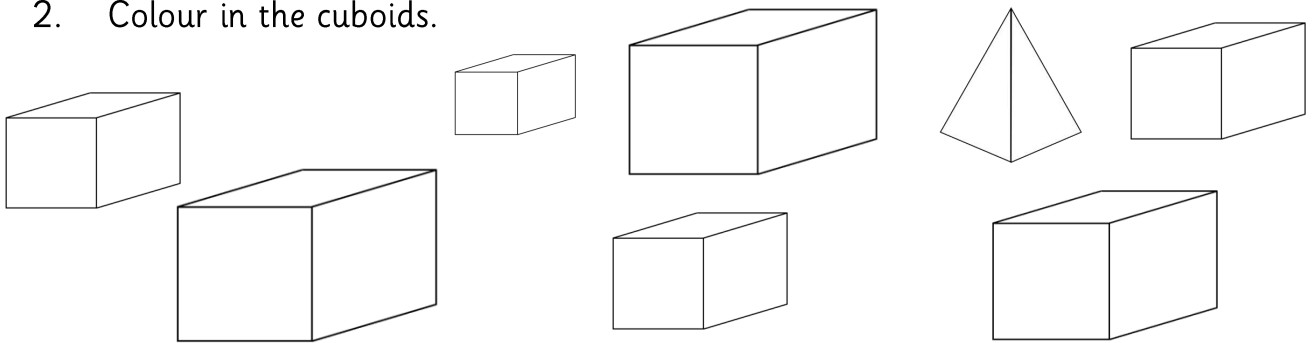
Please help me by colouring in the correct shapes.



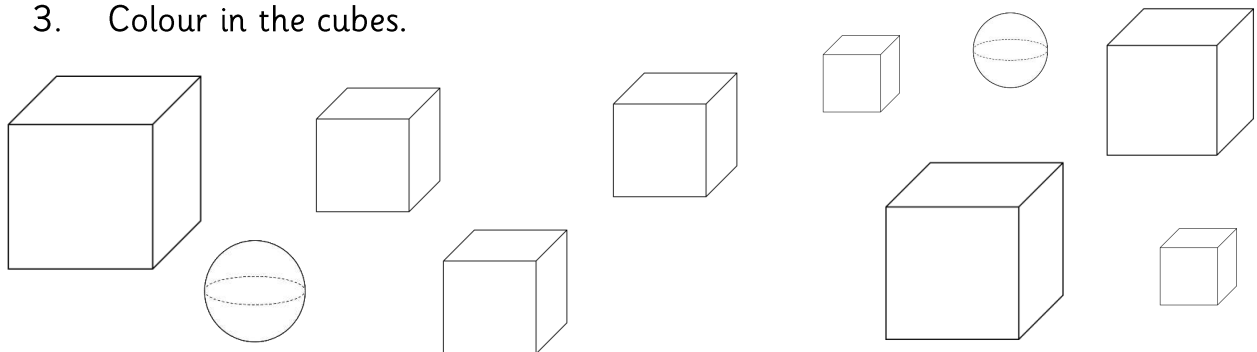
1. Colour in the pyramids.



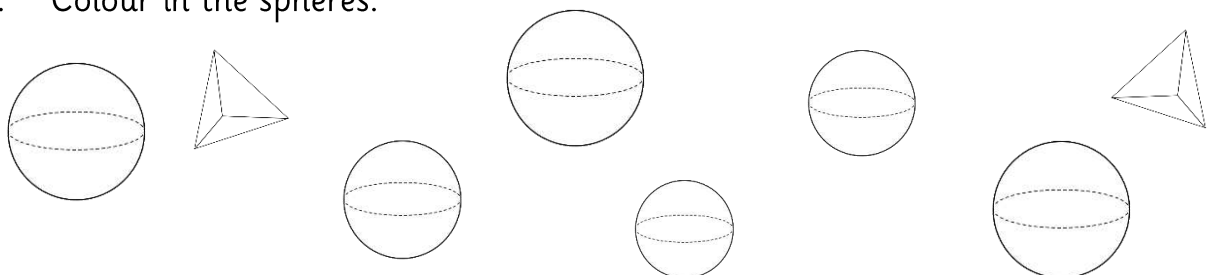
2. Colour in the cuboids.



3. Colour in the cubes.



4. Colour in the spheres.



Name:

# 3D shapes – sorting into groups (1)

Maths worksheets from urbrainy.com

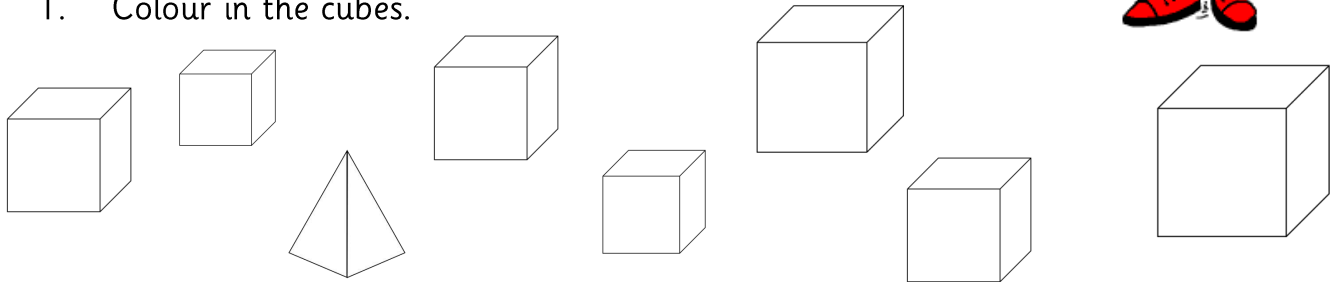


I am trying to sort some 3D shapes into groups of the same shape.

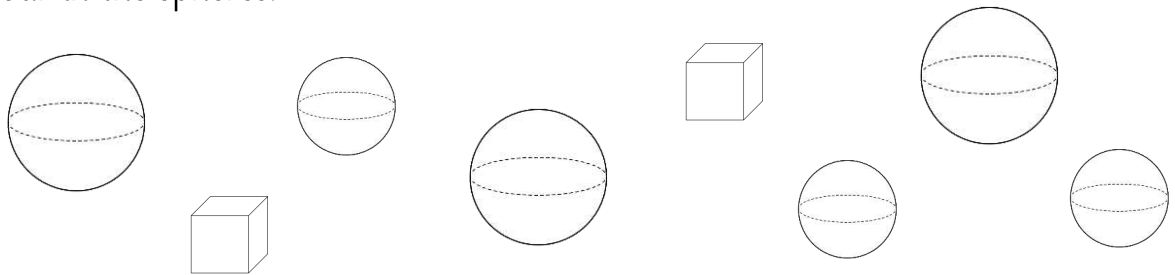
Please help me by colouring in the correct shapes.



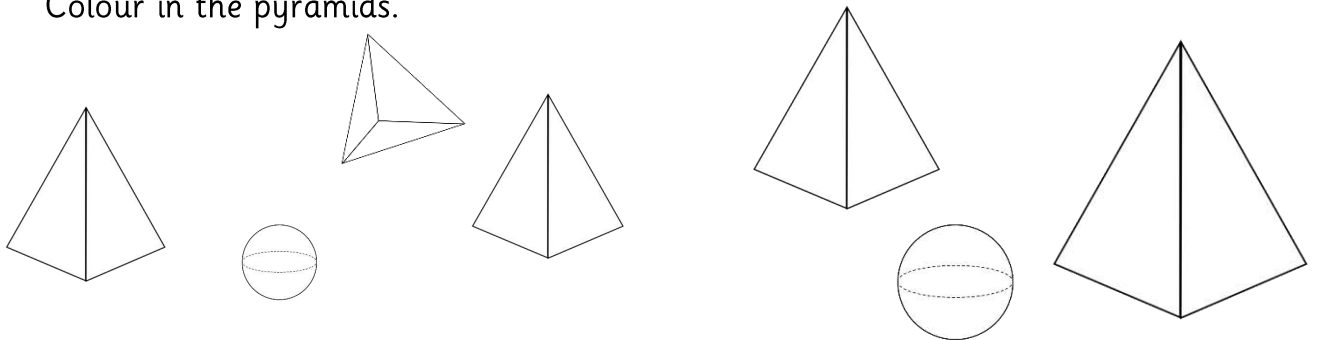
1. Colour in the cubes.



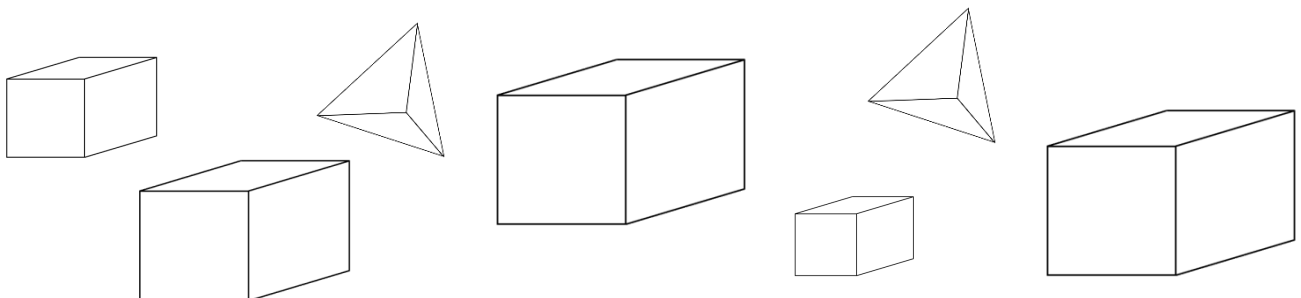
2. Colour in the spheres.



3. Colour in the pyramids.



4. Colour in the cuboids.



Name: \_\_\_\_\_

# 3D shapes – sorting into groups (1)

Maths worksheets from urbrainy.com

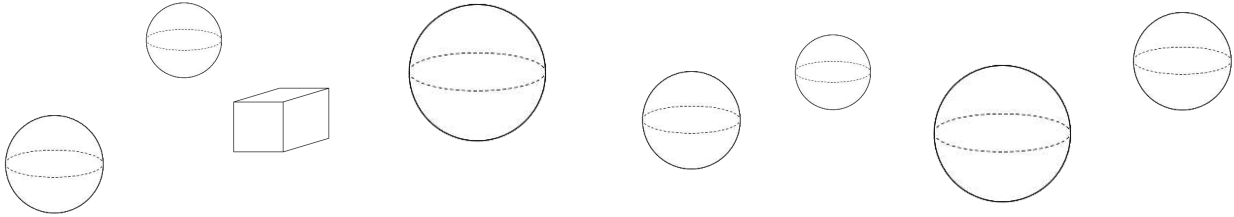


I am trying to sort some 3D shapes into groups of the same shape.

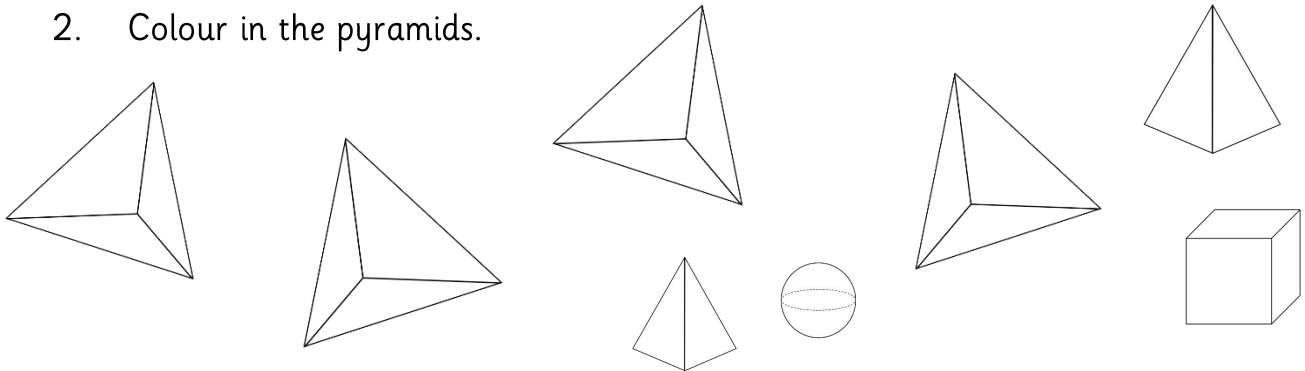
Please help me by colouring in the correct shapes.



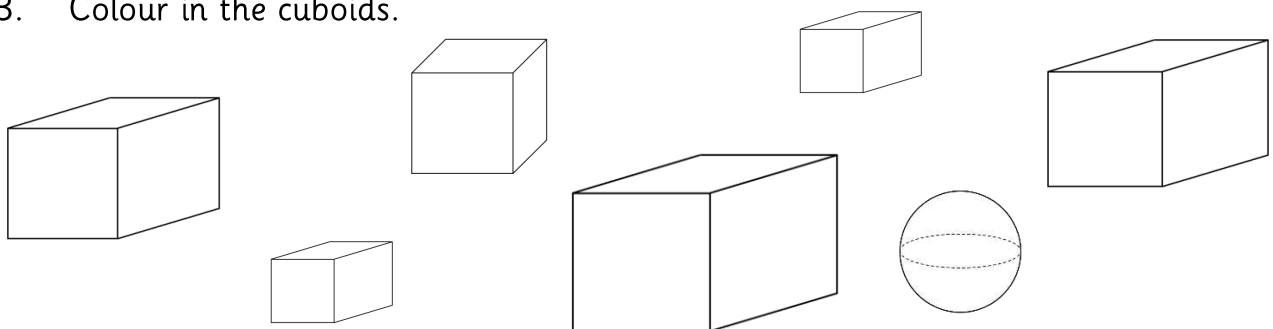
1. Colour in the spheres.



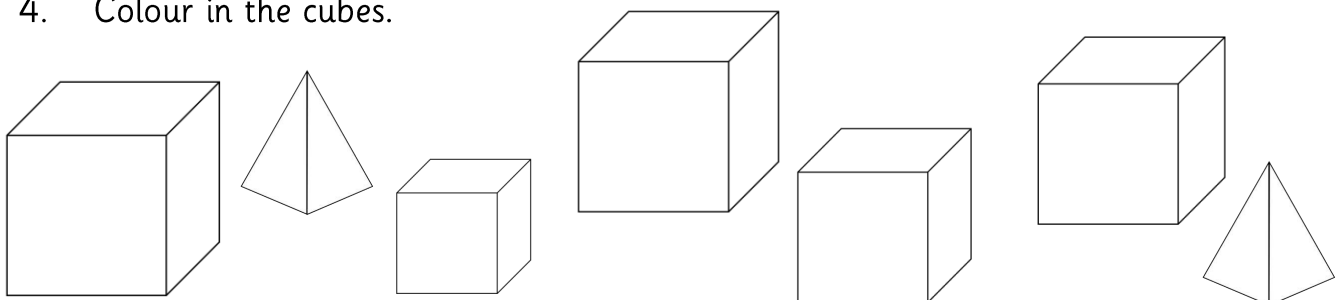
2. Colour in the pyramids.



3. Colour in the cuboids.



4. Colour in the cubes.



Name:



Answers:

Page 1

1. All the pyramids should be coloured in.
2. All the cuboids should be coloured in.
3. All the cubes should be coloured in.
4. All the spheres should be coloured in.

Page 2

1. All the cubes should be coloured in.
2. All the spheres should be coloured in.
3. All the pyramids should be coloured in.
4. All the cuboids should be coloured in.

Page 3

1. All the spheres should be coloured in.
2. All the pyramids should be coloured in.
3. All the cuboids should be coloured in.
4. All the cubes should be coloured in.